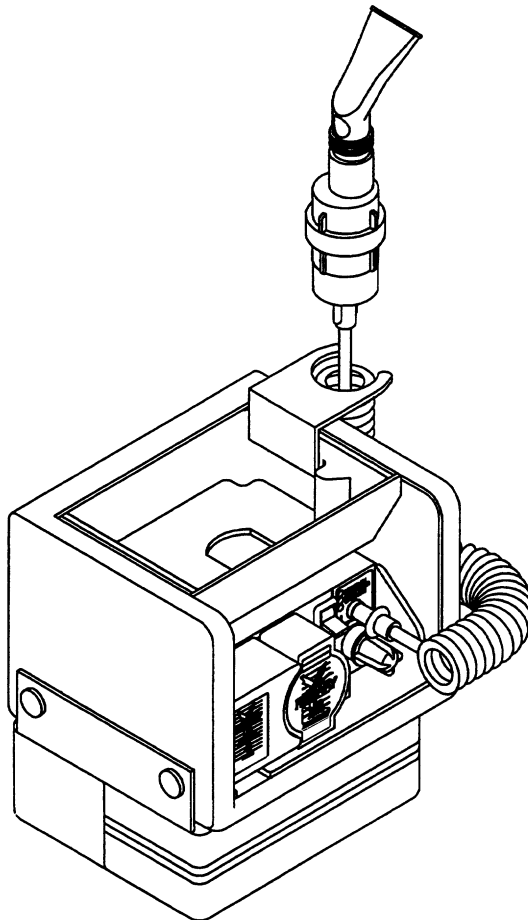




FREEWAY™ LITE
AEROSOL COMPRESSOR
MODEL IRC 1195



OWNER'S MANUAL

SPECIAL NOTES

DANGER/WARNING/CAUTION notices as used in this manual apply to hazards or unsafe practices which could result in personal injury or property damage.

NOTICE

The information in this manual is subject to change without notice.

This aerosol compressor is intended for household use.

WARNING

DO NOT install, maintain or operate this equipment without first reading and understanding this manual. If you are unable to understand the **WARNINGS** and **INSTRUCTIONS**, contact your Home Healthcare Dealer before attempting to use this equipment - otherwise injury or damage may result.

“Caution: Federal law restricts this device to sale by or on the order of a physician.”

TABLE OF CONTENTS

SPECIAL NOTES	2
TABLE OF CONTENTS	3
SAFETY SUMMARY	4
SPECIFICATIONS	5
FEATURES	6
INTRODUCTION	9
OPERATION	9
Charging the Batteries	9
Initial Battery Charging	9
Normal Battery Charging	10
Operating your Freeway Lite	10
Power Supply Options	10
Operation from the Wall Outlet	10
Operating from the Freeway Lite Battery Pack	11
Operating from a Car or a Boat	11
Traveling with the Freeway Lite	12
Preparing for Treatment	12
Taking the Treatment	13
After the Treatment	13
MAINTENANCE	14
Prolonging the Life of your Battery	14
Cleaning the Outer Case	15
Care of your Freeway Lite	15
Cleaning the Sidestream Nebulizer	15
Replacing the Intake Filter	17
Fuse Replacement	17
ACCESSORIES AND SPARE PARTS	17
Servicing	18
TROUBLESHOOTING	18
LIMITED WARRANTY	19

SAFETY SUMMARY

SAFETY SUMMARY

READ ALL INSTRUCTIONS BEFORE USING.

When using electrical products, especially when children are present, basic safety precautions should always be followed, including the following:

DANGER

TO REDUCE THE RISK OF ELECTROCUTION:

Always unplug this product **IMMEDIATELY** after using.

DO NOT use while bathing.

DO NOT place or store product where it can fall or be pulled into a tub or sink.

DO NOT reach for product that has fallen into water. **UNPLUG IMMEDIATELY.**

DO NOT place in or drop into water or liquid.

WARNING

TO REDUCE THE RISK OF BURNS, ELECTROCUTION, FIRE OR INJURY TO PERSONS:

A product should **NEVER** be left unattended when plugged into a power source.

Close supervision is necessary when this product is used by, on or near **CHILDREN AND PHYSICALLY CHALLENGED INDIVIDUALS.**

DO NOT operate unit longer than 20 minutes continuously. Allow 40 minutes for the unit to cool before operating again.

Use this product only for its intended use as described in this manual. Use this product only under a physician's direction. **DO NOT** use attachments **NOT** recommended by the manufacturer.

NEVER operate this aerosol compressor if it has a damaged cord or plug, if it is **NOT** working properly, if it has been dropped or damaged, or dropped into water; call Qualified Service Personnel for examination and repair.

Keep the cord away from **HEATED** or **HOT** surfaces.

NEVER drop or insert any object into any opening.

NEVER use while sleeping or drowsy.

DO NOT operate where aerosol (spray) products are being used or where oxygen is being administered in a closed environment such as an oxygen tent.

This unit is oil-less. **DO NOT** lubricate.




DO NOT operate in the rain or other wet environments.

WARNING

Risk of electric shock. **DO NOT** disassemble. Refer servicing to qualified service personnel.

SAVE THESE INSTRUCTIONS.

MODEL IRC 1195 SPECIFICATIONS

Electrical Requirements:	90-240 VAC, 50-60Hz, or 12 -14 VDC ===
Running Current:	2A @ 10 psig @ 12 volts (approximately)
Ambient Temperature Range:	10° C - 40° C (50° F - 104° F) NOTE: Operating at temperature extremes may increase treatment times.
Power Wattage:	24 Watts, 60VA ~
Thermal Protector:	Internal Solid State - Auto Resettable NOTE: The Freeway Lite unit and Battery Pack each have an internal resettable thermal fuse in case of overheating (operating longer than 20 minutes) or using incorrect polarity DC jack.
Safety Systems:	Class II - Double Insulated  Type BF 
Intake Filter:	300 micron, polyethylene
Flowrate:	Flowrate (typical): 6 lpm @ 10 psig
Width:	6.6-inches
Height:	6.1-inches
Depth:	5.1-inches (7.5-inches w/accessory bag)
*Weight:	4.1lbs (5.6 lbs. w/all accessories)
Battery Pack Dimensions:	4.7 x 2.0 x 2.1-inches
IMPORTANT DC Inlet	
Polarity:	External Positive +  - Internal Negative

* Weights given include the 1.1 lb. removable battery.

=== Stands for Direct Current

~ Stands for Alternating Current

FEATURES

FEATURES

FREEWAY LITE

When you unpack your Freeway™ Lite, you will notice that the battery pack, nebulizer kit, 12 volt DC lead, AC/DC power pack and power cord are separated from the main unit.

The 12 volt DC lead, AC/DC power pack and power cord may be stored in the detachable accessory bag.

The battery pack fits into the front of the aerosol compressor unit. Remove the rubber covers (black protective battery covers) over connector pins from the Freeway Lite before installing the battery pack. The rubber covers can be stored in the clear pocket of the inside flap of the carrying case.

NOTE: When the battery pack is not in place, it is essential to protect the battery connections with the protective rubber covers provided.

There is a storage compartment for your nebulizer and medication (Nebulizer/Holder stand).

CAUTION

NEVER store your nebulizer and medication in the section of the carrying case with the aerosol compressor. Liquid medication may seriously damage the aerosol compressor.

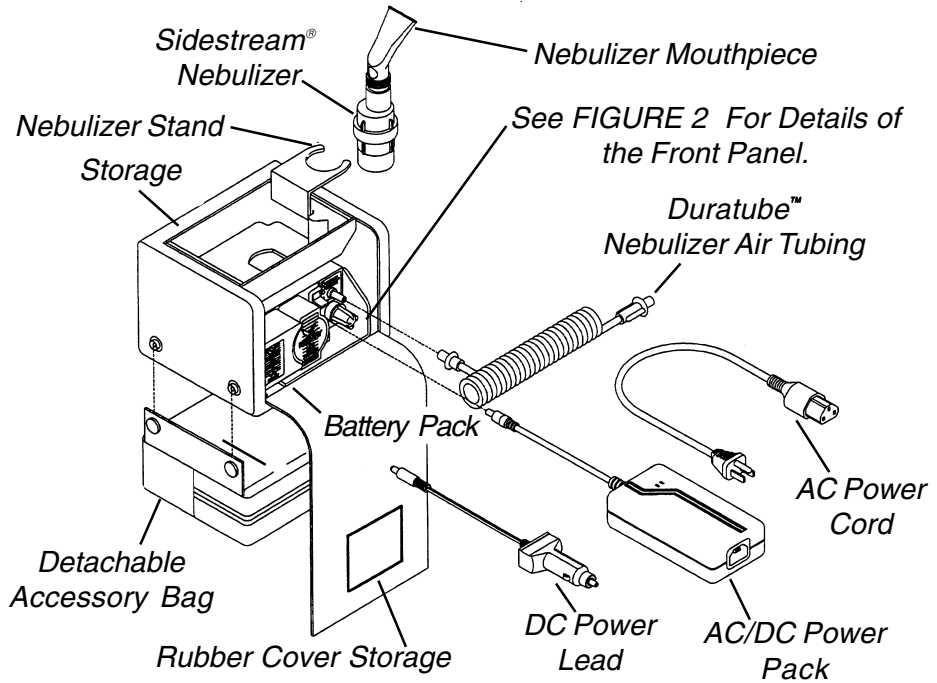


FIGURE 1 - FREEWAY LITE

NOTE: Rubber covers are installed on the battery connectors. Remove them before installing the battery pack.

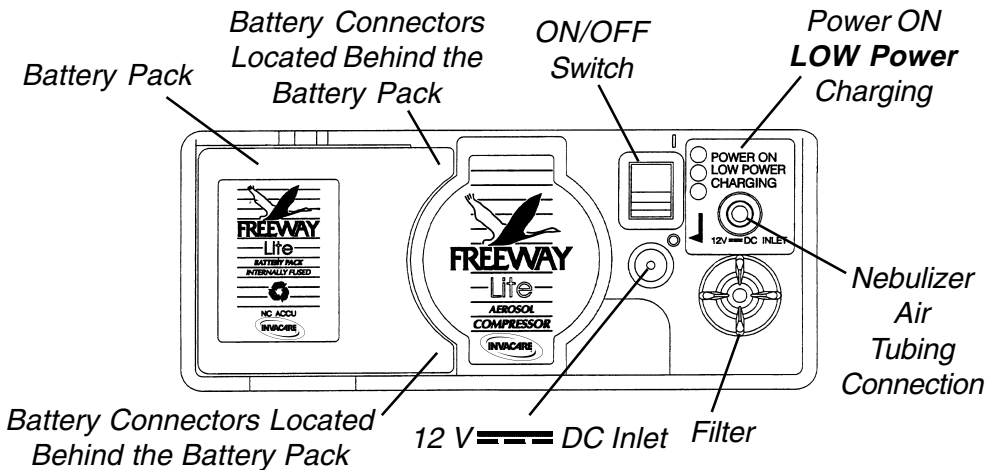


FIGURE 2 - FRONT CONTROL PANEL

Sidestream® is a registered trademark of Medic-Aid Ltd.

Duratube™ is a trademark of Medic-Aid Ltd.

FEATURES

FEATURES

THE FREEWAY LITE AC/DC POWER PACK

The Freeway Lite Power Pack is required for running the Freeway Lite from AC wall outlets and to recharge the batteries when not in use. Your AC/DC Power Pack and cord are designed to operate from U.S. and North American outlet voltages and plug configurations (90 - 240 VAC, 50 - 60Hz). By purchasing travel plug adaptors, your Freeway Lite can be utilized around the world.

THE FREEWAY LITE BATTERY PACK

A second battery pack may be purchased, just in case of an emergency or if extra power is required for more treatments (e.g. on a long airplane flight) between charges.

NOTE: The Freeway Lite battery pack contains nickel-cadmium cells.

WARNING

DO NOT dispose of the battery pack in the household waste at the end of its useful life (approx. 2000 treatments). Proper disposal at an appropriate collection site provided in your local area is strongly recommended.

Nickel-Cadmium Battery:

Cadmium is a chemical known to the State of California to cause cancer. The Nickel-Cadmium Battery contained in this equipment may explode if disposed of in a fire.

THE SIDESTREAM NEBULIZER KIT

The nebulizer kit contains all the accessories that you need for your treatment.

NOTE: It is essential that the nebulizer, accessories and medication are only stored in the accessory tray, on the top of the Freeway Lite. Electrical items and any other dry components may be stored in the detachable accessory bag.

CAUTION

NEVER store your nebulizer and medication in any other area except the storage section of the carrying case. Liquid medication may seriously damage the compressor.

INTRODUCTION

Freeway Lite is different than other aerosol compressors because it is smaller, lighter and quieter. It has the added benefit of having batteries for complete portability.

1. Carefully unpack your Freeway Lite (keep the box as this may be required when returning it for servicing).
2. Assemble your Freeway Lite as illustrated in the **FEATURES** Section of this manual.
3. Your battery pack will need to be charged before use (Refer to **CHARGING THE BATTERIES** in the **OPERATION** Section of this manual).
4. Read these instructions completely before use.
5. Observe recommendations for maintenance and replacement.

OPERATION

CHARGING THE BATTERIES

Initial Battery Charging

NOTE: Your batteries are supplied discharged and must be fully charged before use.

NOTE: To maximize the capacity and life of the Freeway Lite rechargeable batteries, FULLY charge them for 16 hours before initial use.

1. FULLY discharge the batteries by running the unit 20 minutes ON then 40 minutes OFF until the unit no longer runs (This will take 2 to 3 - 20 minute run cycles.)
2. Next FULLY charge the batteries for 16 hours. Now the unit is ready for regular use with the batteries.

NOTE: FULLY discharge, then charge the batteries once a month. During a 30 day period (one [1] month) the batteries may be charged as often as deemed necessary. The batteries MUST BE charged whenever the YELLOW light is illuminated. Refer to PROLONGING THE LIFE OF YOUR BATTERIES in the MAINTENANCE Section of this manual.

CAUTION

DO NOT use for treatment after LOW BATT light is illuminated. DO NOT run unit longer than 20 minutes at a time.

NOTE: If the LOW POWER light comes ON during treatment, finish the treatment. DO NOT use your Freeway Lite if the LOW POWER light is illuminated before you begin your treatment. Charge the batteries or use another power source.

OPERATION

Normal Battery Charging Procedures

1. Turn the ON/OFF switch to the OFF position (position O).
2. If not already installed, attach the battery pack to the Freeway Lite. Connect the power pack or 12 volt DC lead to the DC power inlet on the Freeway Lite and connect the other end to a suitable power supply (wall or car outlet). The GREEN Charging light will come ON to show that the unit is charging.

CAUTION

Your power supply at the DC inlet **MUST BE** the correct polarity (Refer to SPECIFICATIONS in this manual). The Freeway Lite will **NOT** operate or charge batteries from an incorrect polarity DC supply.

NOTE: The Freeway Lite internal control circuit regulates the battery charging. The Freeway Lite battery pack can be charged for as long as you require without damage. It will take approximately 16 hours to recharge a fully discharged battery.

OPERATING YOUR FREEWAY LITE

Power Supply Options

Freeway Lite may be operated from three (3) different sources:

1. The wall outlet, using the Freeway Lite AC/DC power pack.
2. Freeway Lite battery pack.
3. A 12 volt DC source (such as a car or boat).

Whichever source of power is selected, the Freeway Lite is switched ON at the ON/OFF switch (position **I** is ON and position **O** is OFF). Air is drawn into the Freeway Lite through the air filter. Compressed air will come out of the air outlet into the coiled Duratube at the air outlet. The Freeway Lite can be switched OFF using the ON/OFF switch and the supply of compressed air will stop.

CAUTION

DO NOT use the Freeway Lite for more than 20 minutes continuously in any one (1) hour. Allow a minimum of 40 minutes rest/cooling time.

Operation From The Wall Outlet

NOTE: Ensure that the ON/OFF switch is in the OFF (O) position.

1. To operate from the wall outlet, connect the Freeway Lite AC/DC power pack to the wall outlet.

2. Plug the power cord into the wall and the power pack outlet lead into the Freeway Lite DC inlet and the GREEN Charging indicator light will come ON.
3. Switch Freeway Lite ON at the ON/OFF switch and the Freeway Lite will operate.

CAUTION

DO NOT plug the 12 volt lead into the DC inlet when the ON/OFF switch is in the ON position, or remove it when the Freeway Lite is operating. Make sure that the ON/OFF switch is in the OFF position before plugging or unplugging your Freeway Lite from or into its power source.

OPERATING FROM THE FREEWAY LITE BATTERY PACK

1. Ensure the power pack is NOT plugged into the control unit panel of the Freeway Lite.
2. Check that the ON/OFF switch is in the OFF position before inserting a battery pack.
3. Remove the rubber covers from the battery connections from the unit and store them in the clear pocket on the flap of the carrying case.
4. Insert the charged Freeway Lite battery into the unit ensuring that the top is flush with the rest of the unit and switch the unit ON. (The internal control circuit will determine if there is sufficient power in the battery. If there is, the Freeway Lite will start.)
5. When the YELLOW Low Power light appears, this normally indicates that between 20 to 50% of the operating time is left. This actual time will vary with each unit and the light will illuminate earlier as the batteries age.
6. If the Freeway Lite does NOT operate correctly, refer to the **TROUBLESHOOTING** Section of this manual.

NOTE: The Freeway Lite has been designed to be used with the Sidestream Nebulizer. Treatment times will increase if nebulizing antibiotics or using a different nebulizer.

NOTE: During use, the Freeway Lite's battery is prevented from being discharged to a level that would cause permanent damage. You should NEVER start a treatment with the YELLOW light illuminated. ALWAYS charge the batteries first.

NOTE: A FULLY charged battery should provide approximately 36 minutes of treatment time between charges.

Operating From a Car or a Boat

1. The Freeway Lite's 12 volt lead will fit into the majority of car cigarette lighter sockets. The vehicle **MUST BE** a negative ground system. This is normal on practically all modern vehicles. Connection to a positive earth system cannot damage the Freeway Lite, the unit simply will NOT operate or charge the battery from an incorrect polarity DC supply.

OPERATION

CAUTION

If the unit does NOT operate, IMMEDIATELY disconnect the power supply from the DC inlet and check for correct polarity (Refer to SPECIFICATIONS in this manual).

NOTE: Battery alligator clips can be purchased from an electronics retail supply company. These connect the cigarette lighter plug of the DC lead directly to a 12 volt DC battery instead of using a cigarette lighter.

2. Ensure that the ON/OFF switch is in the OFF position.
3. Plug the 12 volt DC lead into the DC inlet.
4. Connect the 12 volt DC lead to the power supply. The GREEN Charging indicator light will now come ON.
5. Switch Freeway Lite ON at the ON/OFF switch and the Freeway Lite will operate.
6. If the Freeway Lite does NOT operate correctly, refer to the **TROUBLESHOOTING** Section of this manual.

Traveling With The Freeway Lite

NOTE: The Freeway Lite Aerosol Compressor uses nickel cadmium batteries which are accepted for use on most airlines. However, we strongly advise that you contact your airline before travel to ensure their approval.

Your AC/DC Power Pack and cord are designed to operate from U.S. and North American outlet voltages and plug configurations (90 - 240 VAC, 50 - 60Hz). By purchasing travel plug adaptors, your Freeway Lite can be utilized around the world.

PREPARING FOR TREATMENT

1. Place the nebulizer in the stand provided for filling with medication or when resting during treatment.

CAUTION

DO NOT fill the Sidestream near the control panel. Spilled liquid may damage the unit.

NOTE: It is important that a Sidestream nebulizer is used to gain maximum performance from your Freeway Lite.

2. Dispense your prescribed medication either directly into the top of the Sidestream, or into the base by unscrewing the chamber.

3. Connect the long hose end of the coiled Duratube to the inlet on the bottom of the Sidestream.
4. Connect either the mouthpiece (supplied) or face mask (optional) to the Sidestream nebulizer.

NOTE: Freeway Lite is designed to nebulize 2.5 - 5cc of medication, 3 to 4 times each day.

TAKING THE TREATMENT

1. Turn the Freeway Lite ON and the Sidestream will produce a fine mist.
2. It is suggested that you are as relaxed as possible and are sitting in an upright position to obtain the maximum benefit from the treatment.
3. It is suggested that two (2) or three (3) deeper breaths are interspersed with gentle lower chest breathing.
4. When the Sidestream begins to work intermittently and “spits”, then the treatment has finished. There is no need to nebulize every drop of your medication as there will always be a small amount left in the chamber.

AFTER THE TREATMENT

1. Disconnect Sidestream from the tubing by gently twisting the tubing.
2. Rinse out the nebulizer and refill with a little clean water.
3. Reconnect the tubing and run the Freeway Sidestream again for a few seconds in order to flush out any of the medication that has become trapped in the nebulizer jets.
4. Disconnect Sidestream from the tubing and disassemble it into three (3) pieces.
5. Wash all the parts thoroughly in hot soapy water.
6. Refer to the **MAINTENANCE Section** in this manual for additional care and cleaning information.

CAUTION

Under no circumstances should you use a cleaning brush, needle or paperclip to clean the center baffles or jet holes of the Sidestream. This seriously affects the particle size thus giving less effective treatment.

MAINTENANCE

PROLONGING THE LIFE OF YOUR BATTERY

The Freeway Lite's battery is fully sealed and requires no maintenance. **It should last for approximately 2000 treatments with normal use, but will last even longer if you follow these rules:**

1. Fully discharge the battery at least once a month and fully charge again. This is accomplished by running the Freeway Lite from the battery until it stops working (approximately 10 to 12 minutes after the LOW POWER indicator illuminates). After the unit is completely discharged, use the AC/DC power pack to fully charge the battery pack (approximately 16 hours).
2. Keep the battery connected to the Freeway Lite and fully charged at all times. If you own more than one (1) battery pack ensure that it is stored fully charged. It will slowly discharge and after six (6) months will be completely discharged.

CAUTION

Storing an extra battery completely discharged may cause permanent damage.

3. Operate your Freeway Lite from the AC/DC power pack or from a 12 volt DC source whenever possible.
4. Avoid exposure to extreme temperatures.

WARNING

DO NOT operate the unit or charge the batteries in temperatures above 104°F (40°C) or below 41°F (5°C), or place near heat sources such as radiators or fires.

5. Always replace the rubber covers over the battery connections if you remove the battery. This is essential to protect battery connections from damage.

WARNING

Electrical shock hazard. **DO NOT** remove outer case of this unit. All disassembly and maintenance of this unit **MUST BE** done by a Qualified Invacare Dealer.

CLEANING THE OUTER CASE

WARNING

UNPLUG unit before cleaning. DO NOT submerge in water to clean. Clean outer case with damp cloth.

CARE OF YOUR FREEWAY LITE

Your Freeway Lite, battery pack and power pack can be cleaned by wiping with a damp cloth. The storage tray can be removed for cleaning by lifting the Freeway Lite unit out of the bag and pulling the tray out from under the lip at the top of the bag. The storage tray can then be washed thoroughly in warm soapy water.

NOTE: You must ensure that the tray is totally dry before replacing it in the carrying case.

The carrying case can be machine washed (30°C) and tumble dried at low temperature settings.

DO NOT wipe the inlet filter or battery connections.

CLEANING THE SIDESTREAM NEBULIZER (FIGURE 1)

1. Disconnect the Sidestream nebulizer from the coiled Duratube tubing by gently twisting the tubing counterclockwise.
2. Rinse out the Sidestream nebulizer and refill it with a little clean water.
3. Reconnect the coiled Duratube and run the Sidestream nebulizer with the Freeway Lite for a few seconds to flush out any medication that has become trapped in the nebulizer jets.
4. Disconnect the Sidestream nebulizer from the coiled Duratube again by gently twisting it counterclockwise.
5. Run your Freeway Lite for approximately 15 seconds without the Sidestream nebulizer to dry out any condensation in the tubing.
6. Disassemble the Sidestream nebulizer which comes apart in three (3) pieces and, together with the mask or mouthpiece, thoroughly wash all the parts in warm soapy water and let them all dry.

MAINTENANCE

7. When all parts are thoroughly dry, store them in the storage compartment on the top of the Freeway Lite only.
8. Once each week your durable Sidestream nebulizer should be boiled in water with two (2) drops of dish washing liquid for 5 to 10 minutes.

CAUTION

When cleaning the Sidestream nebulizer (medication chamber), take great care not to damage the jet holes. DO NOT use a cleaning brush, abrasive sponge or pad as this damages the center baffle and seriously affects the performance of the Sidestream nebulizer.

Under no circumstances should you put paper clips or needles into the jet holes.

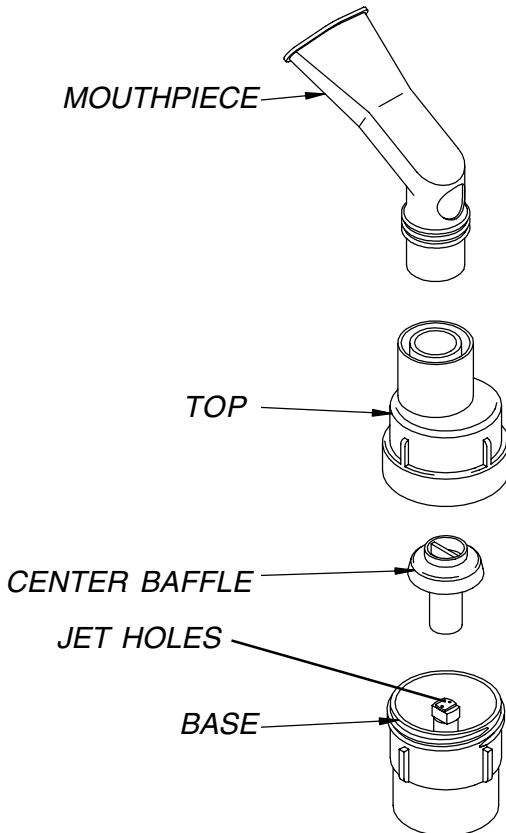


FIGURE 1 - CLEANING THE SIDESTREAM®

REPLACING THE INTAKE FILTER

NOTE: Change the filter as soon as it appears visibly dirty, this will be approximately every three (3) months. The time between filter changes varies according to the environmental conditions where the unit is used. For example, it will need to be changed more often in households where someone smokes.

1. To change the filter, turn the clear filter cover counterclockwise.
2. Remove the filter from the clear filter cover.
3. Place NEW filter into the front panel of the Freeway Lite.
4. Replace the clear filter cover by turning it clockwise until finger tight.

NOTE: Regular filter replacement is necessary to help ensure proper compressor performance. A dirty or clogged filter will also increase treatment time since it reduces air flow into the compressor. You may temporarily remove the filter to check if it allows increased air flow and speeds up the unit, which indicates a NEW filter is required.

WARNING

DO NOT run the Freeway Lite without a filter as it may cause permanent damage to the compressor.

FUSE REPLACEMENT

The Freeway Lite is fitted with an auto-resetting solid-state PCB fuse and does NOT require service. The 12 volt DC lead (cigarette lighter lead) is fitted with a T3 amp fuse. This is located in the cigarette lighter plug and is removed by unscrewing the end of the cigarette lighter plug body. Replacement fuses can be purchased at your local electronics store. The battery pack and power pack are internally fused and cannot be serviced. If you suspect a fault, contact your local Invacare Dealer for service.

ACCESSORIES AND SPARE PARTS

Accessories should be replaced regularly. It is recommended that all accessories are changed at least once a year especially the Sidestream nebulizer and the coiled Duratube if your Freeway Lite is being used three (3) or more times a day.

The intake filter should be replaced every three (3) months.

If you cannot solve a problem or would like to order any spare parts, please contact your Invacare Dealer.

PART NO.	DESCRIPTION
2001818	AC/DC Power Pack
2001820	Freeway Lite Battery Pack
2001821	Replacement Filters (Qty. 4)
2001822	Filter Cover
2001823	Rubber Covers, Battery Connections (Qty. 2)
2001824	12V DC Lead
2001825	Carrying Case
2001826	Detachable Bag
2001827	Accessory Tray
2001828	Owner's Manual
2001829	Coiled Duratube Tubing
2001831	Power Cord
MS2400	Sidestream Nebulizer

SERVICING

Exact service intervals depend on actual usage, however, as this medical device is to be relied upon for several years, we recommend that it is serviced by a qualified technician at least once a year.

To assist you, we have listed possible problems in the Troubleshooting Section of this manual.

TROUBLESHOOTING

PROBLEM	POSSIBLE SOLUTIONS
Unit does not run from battery.	<ol style="list-style-type: none">1. Assure battery is installed properly.2. Remove rubber bumpers.3. Check all leads are removed from DC inlet.4. Charge battery for 16 hours.
Unit does not charge and GREEN Charging indicator is NOT illuminated.	<ol style="list-style-type: none">1. Confirm power pack is plugged into live wall outlet.2. Have Freeway Lite serviced by your Dealer.
Unit does not run from DC inlet.	<ol style="list-style-type: none">1. Check fuse in DC cigarette lighter lead.2. Check for correct polarity (Refer to SPECIFICATIONS Section in this manual).
Unit runs slowly or battery usage time decreased.	<ol style="list-style-type: none">1. Check filter is clean. Replace.2. Check coiled Duratube is NOT blocked. If blocked, replace with new one. DO NOT immerse in water.3. Follow Discharge/Charge directions in "Prolonging the Life of your Battery". (Refer to MAINTENANCE Section of this Manual.) Procedure may need to be repeated.
Unit runs and Sidestream nebulizer makes poor or no mist.	<ol style="list-style-type: none">1. Thoroughly clean the nebulizer by boiling in water with two (2) drops of dish washing liquid for 5 to 10 minutes.2. DO NOT use brush.3. Replace nebulizer with a new one.

NOTE: If any of the above problems occur and the solutions do not work, please contact your Invacare Dealer for service.

LIMITED WARRANTY

PLEASE NOTE: THE WARRANTY BELOW HAS BEEN DRAFTED TO COMPLY WITH FEDERAL LAW APPLICABLE TO PRODUCTS MANUFACTURED AFTER JULY 4, 1975.

This warranty is extended only to the original purchaser/user of our products.

This warranty gives you specific legal rights and you may also have other legal rights which vary from state to state.

Invacare warrants the compressor of the Freeway Lite Aerosol Compressor to be free from defects in materials and workmanship for a period of one (1) year from date of purchase. The nebulizer, mouthpiece, batteries and any other accessories are excluded in this warranty. If within such warranty period any such product shall be proven to Invacare's satisfaction to be defective, product shall be repaired or replaced, at Invacare Respiratory Corporation option. This warranty does not include normal wear and tear or shipping charges incurred in replacement part installation or repair of such product. Invacare's sole obligation and your exclusive remedy under this warranty shall be limited to such repair and/or replacement.

For warranty service, please contact Invacare's Service Department at the Toll Free Number listed (Back Cover) during normal hours.

Upon receiving notice of an alleged defect in a product, Invacare will issue a serialized return authorization. It shall be the responsibility of the purchaser to return, at the purchaser's cost, to either Invacare's plant or service center as specified by Invacare in advance. Defective components part(s) must be returned for warranty inspection using the serial number for identification within 30 days of the return authorization date. DO NOT return products to our factory without prior consent. C.O.D. shipments will be refused - please prepay shipping charges.

LIMITATIONS AND EXCLUSIONS: THE FOREGOING WARRANTY SHALL NOT APPLY TO SERIAL NUMBERED PRODUCTS IF THE SERIAL NUMBER HAS BEEN REMOVED OR DEFACED, PRODUCTS SUBJECTED TO NEGLIGENCE, ACCIDENT, IMPROPER OPERATION, MAINTENANCE OR STORAGE, PRODUCTS MODIFIED WITHOUT INVACARE'S EXPRESS WRITTEN CONSENT (INCLUDING, BUT NOT LIMITED TO, MODIFICATION THROUGH THE USE OF UNAUTHORIZED PARTS OR ATTACHMENTS; PRODUCTS DAMAGED BY REASON OF REPAIRS MADE TO ANY COMPONENT WITHOUT THE SPECIFIC CONSENT OF INVACARE, OR TO A PRODUCT DAMAGED BY CIRCUMSTANCES BEYOND INVACARE'S CONTROL, AND SUCH EVALUATION WILL BE SOLELY DETERMINED BY INVACARE. THE WARRANTY SHALL NOT APPLY TO PROBLEMS ARISING FROM NORMAL WEAR OR FAILURE TO ADHERE TO THE FOLLOWING INSTRUCTIONS.

THE FOREGOING WARRANTY IS EXCLUSIVE AND IN LIEU OF ALL OTHER EXPRESS WARRANTIES. IMPLIED WARRANTIES, IF ANY, INCLUDING THE IMPLIED WARRANTIES OF MERCHANTABILITY AND FITNESS FOR A PARTICULAR PURPOSE, SHALL NOT EXTEND BEYOND THE DURATION OF THE EXPRESSED WARRANTY PROVIDED HEREIN AND THE REMEDY FOR VIOLATIONS OF ANY IMPLIED WARRANTY SHALL BE LIMITED TO REPAIR OR REPLACEMENT OF THE DEFECTIVE PRODUCT PURSUANT TO THE TERMS CONTAINED HEREIN. INVACARE RESPIRATORY CORPORATION SHALL NOT BE LIABLE FOR ANY CONSEQUENTIAL OR INCIDENTAL DAMAGES WHATSOEVER.

SOME STATES DO NOT ALLOW THE EXCLUSION OR LIMITATION OF INCIDENTAL OR CONSEQUENTIAL DAMAGE, OR LIMITATION ON HOW LONG AN IMPLIED WARRANTY LASTS, SO THE ABOVE EXCLUSION AND LIMITATION MAY NOT APPLY TO YOU.

THIS WARRANTY SHALL BE EXTENDED TO COMPLY WITH STATE/PROVINCIAL LAWS AND REQUIREMENTS.



**INVACARE CORPORATION
ONE INVACARE WAY
Elyria, Ohio 44036 USA
800/333-6900
216/329-6000**